

# STELLA TABLE LAURENT AUTOMATIC AUTOMATIC OUTDOOR GAS FIREPLACE

## Gas Technology

### 2in1 FIRE TABLE FOR UNIQUE OUTDOOR DESIGNS

Introducing a revolutionary concept in outdoor living, the gas fire-pit integrated into a table, combining functional design with aesthetic appeal. It allows guests to enjoy the enchanting glow and comforting warmth of the fire-pit while gathered around the same table, perfect for any backyard or patio setting.

### AUTOMATIC GAS TECHNOLOGY

Stella offers a hassle-free experience. With just a push of a button, you can ignite the fireplace, instantly creating a cozy atmosphere in any outdoor setting. The design includes safety features like automatic shut-off and precise temperature control, making it a safe and efficient choice.

### NATURAL GAS OR LPG

Stella Table Automatic can operate on either LPG or natural gas, allowing users to choose the most accessible and cost-effective option for their needs.



### SINTERED CERAMIC TABLETOP

The top of Stella Table is made of the highly-renowned Dekton surface by Cosentino – ultra-compact material made from sintered ceramics, quartz and glass. Its high-performance offers scratch and stain resistance and is known to withstand high temperatures. It has an elegant matte look of Laurent marble, making it an eye-catching decoration in any space.



### REMOTE CONTROL

Control the fire with the remote, app on your smartphone or a home automation system.

## Stella Table Laurent Automatic (Gas Technology)

Fuel type	Natural Gas / LPG
Heat output	(NG) max. 7.9 kW   32 420 BTU/h (LPG) max. 12.6 kW   34 120 BTU/h
Gas consumption	(NG) max. 0.71 m <sup>3</sup> /h   30.0 ft <sup>3</sup> /h (LPG) max. 0.98 kg/h   1.72 lb/h
Gas pressure	(NG) 20 mbar   8 WC (LPG) 37 mbar   14.9 WC
Total gas hose length	4 m   13 ft <i>(measured from valve to pressure regulator)</i>
Power supply	remote: 2x 1.5V AAA batteries receiver: 4x 1.5V AA Wi-Fi: 6V DC
Flue	not required
Flame height regulation	yes
Materials	sintered ceramics, powder coated galvanized steel
Decorative accessories	black glass gravel
Application	for outdoor use

### CONTROL OPTIONS



included



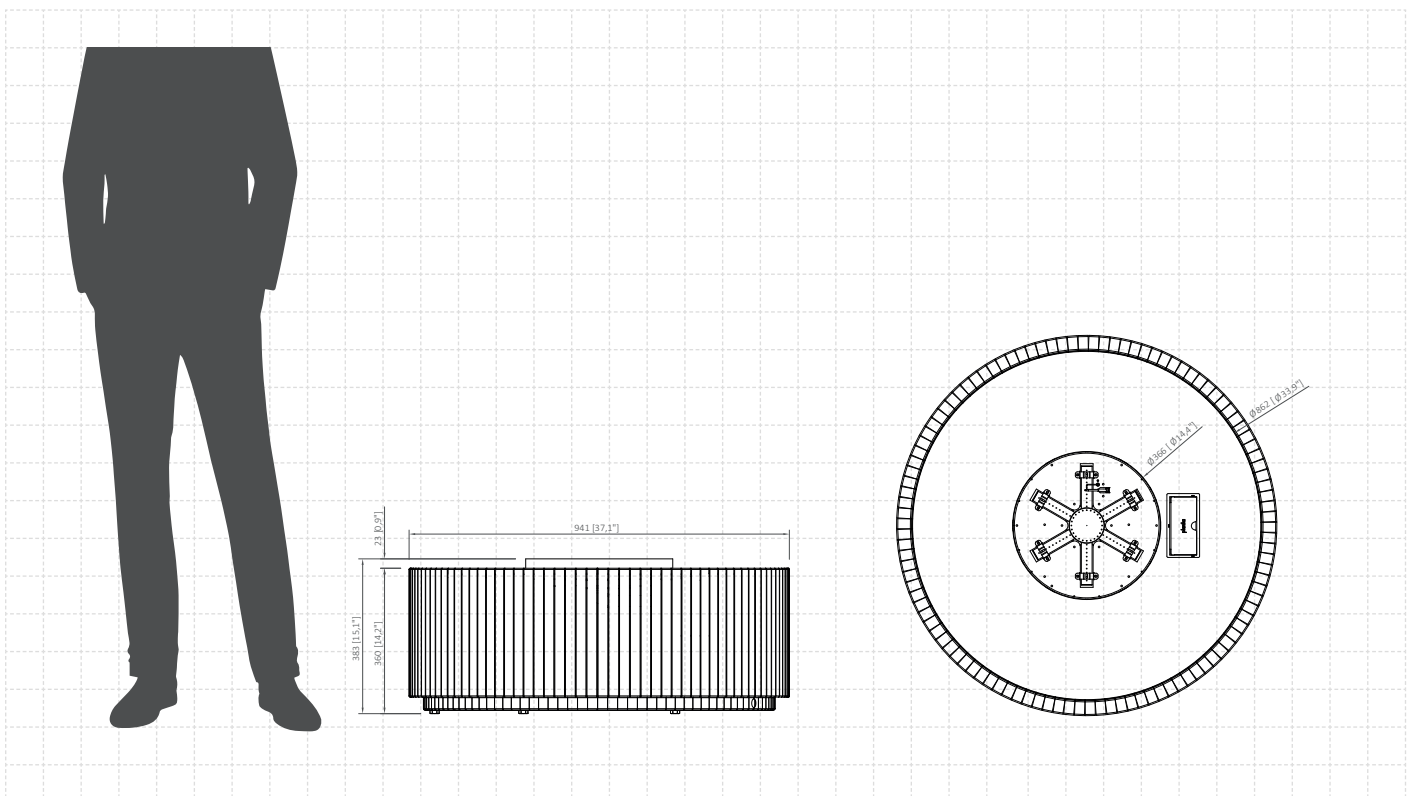
optional



compatible

### 'PLANIKA GAS CONTROL' APP

Control the fire with your smartphone!



All product specifications and data are subject to change without notice and are believed to be accurate as of the date hereof. Planika Sp. z o.o., its affiliates, agents, and employees, and all persons acting on its or their behalf (collectively, "Planika Sp. z o.o."), disclaim any and all liability for any errors, inaccuracies or incompleteness contained in any document or in any other disclosure relating to any product. To the maximum extent permitted by applicable law, Planika Sp. z o.o. disclaims any and all liability arising out of the application or use of any product. No license, express or implied, by estoppel or otherwise, to any intellectual property rights is granted by this document or by any conduct of Planika Sp. z o.o.. Customers using or selling Planika Sp. z o.o.'s products not expressly indicated for use in such applications do so entirely at their own risk and agree to fully indemnify Planika Sp. z o.o. for any damages arising or resulting from such use or sale. The provided fuel consumption is based on laboratory testing. The actual consumption of individual devices may vary. The images are indicative only.